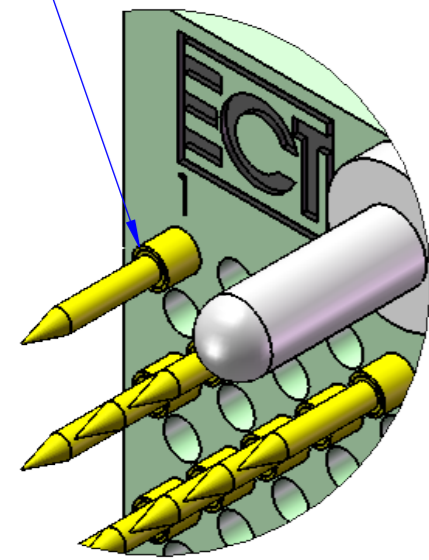


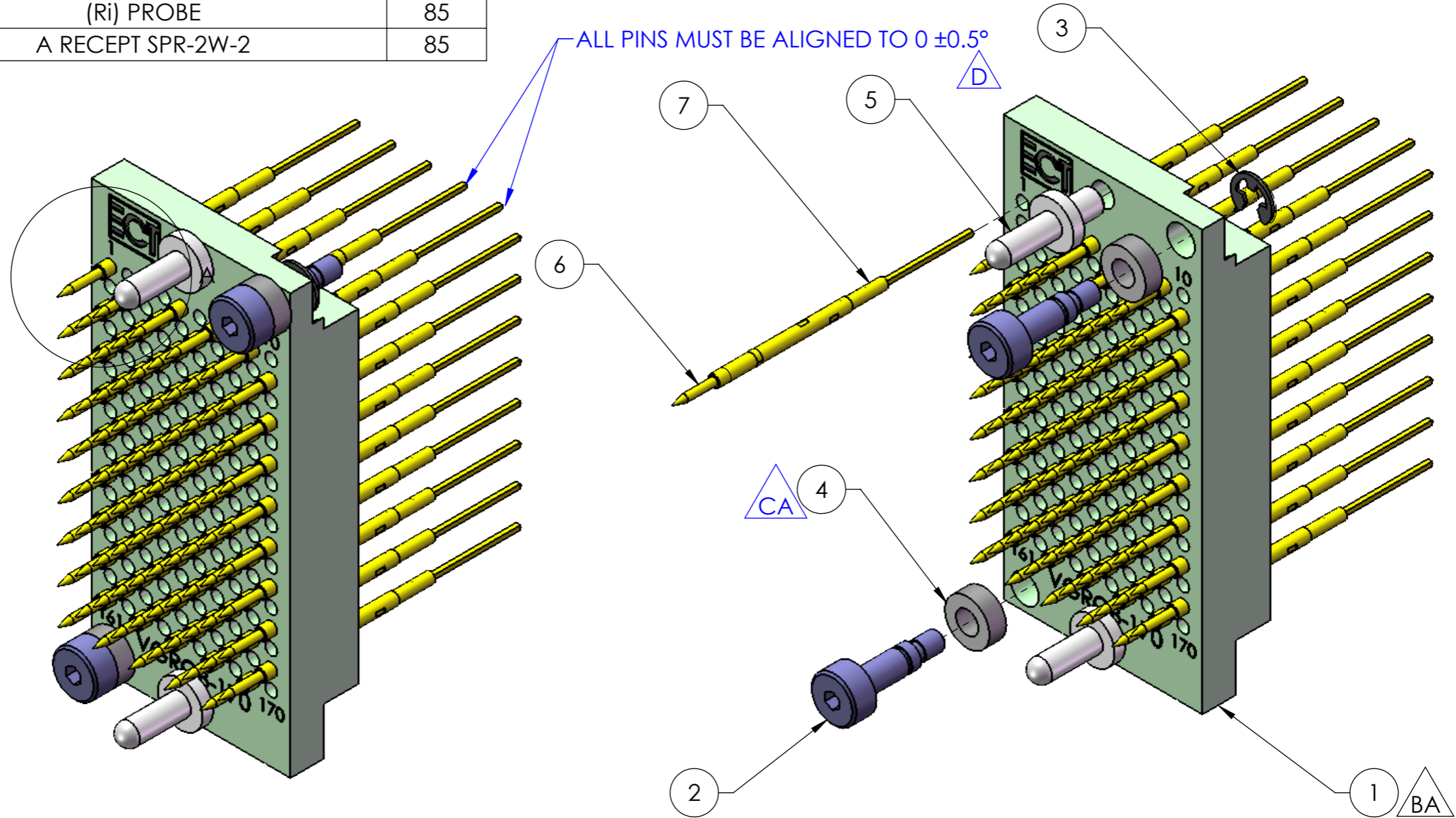
ITEM NO.	PART NUMBER	DESCRIPTION	QTY.
1	820410	VGRCB-170HF BLOCK	1
2	A29675	SPECIAL SHOULDER SCREW	2
3	A30279	(Ri) RETAINER RING 5103-12	2
4	923067	SPACER (RCVR BLK - SHOULDER SCREW)	2
5	B23245-11	TOOLING PIN, DIAPHRAGM PLATE	2
6	EPA-2B40	(Ri) PROBE	85
7	SPR-2W-2	A RECEPT SPR-2W-2	85

REV.	DESCRIPTION	DFT	DATE	ECR NO.
A	INITIAL RELEASE	YAN ZHANG	3/16/15	NIL
BA	UPDATE ECT LOGO	YAN ZHANG	11/27/2015	-
CA	CHANGING SPACER PN, ADDING SOCKET HEIGHT NOTE	S. GARCIA	4/13/2017	
D	ADDED ALIGNMENT NOTE AND CORRECTED TITLE TO READ VGRCB-85F-H.	K.G.	9/26/2018	1062

SOCKET HEIGHT
1.5MM (0.60 in) TYP △ CA



DETAIL A
SCALE 4:1



QTY: REFER TO BOM

- PLEASE NOTE:**
- DIMENSIONAL LIMITS APPLY AFTER TREATMENT.
 - REMOVE ALL SHARP EDGES.
 -

THIS DOCUMENT IS THE PROPERTY OF, AND CONTAINS INFORMATION PROPRIETARY TO **EVERETT CHARLES TECHNOLOGIES**. IT IS TO BE RETURNED UPON REQUEST. REPRODUCTION BY ANY MEANS, DISCLOSURE OR USE OF ITS CONTENTS FOR WHICH IT IS LOANED, WITHOUT WRITTEN CONSENT OF EVERETT CHARLES TECHNOLOGIES IS STRICTLY PROHIBITED.

- UNLESS OTHERWISE SPECIFIED:
- DIMENSIONS ARE IN INCHES
 - DEBURR ALL SHARP EDGES: .01 x 45°
 - DO NOT SCALE DRAWING
 - TOLERANCES: . ANGLES ± 0.5°
.XX ± 0.02
.XXX ± 0.005
.XXXX ± 0.0005
 - MACHINING REQUIRED:

PROJECTION:	
DRAWN BY:	YAN ZHANG
ENGR APVD	
MATERIAL	
TREATMENT	



TITLE					VGRCB-85F-H FLOATING				
SIZE	SCALE	DOCUMENT NUMBER	SHEET	REV					
A4	2:1	820491FLOAT	1 OF 1	D					