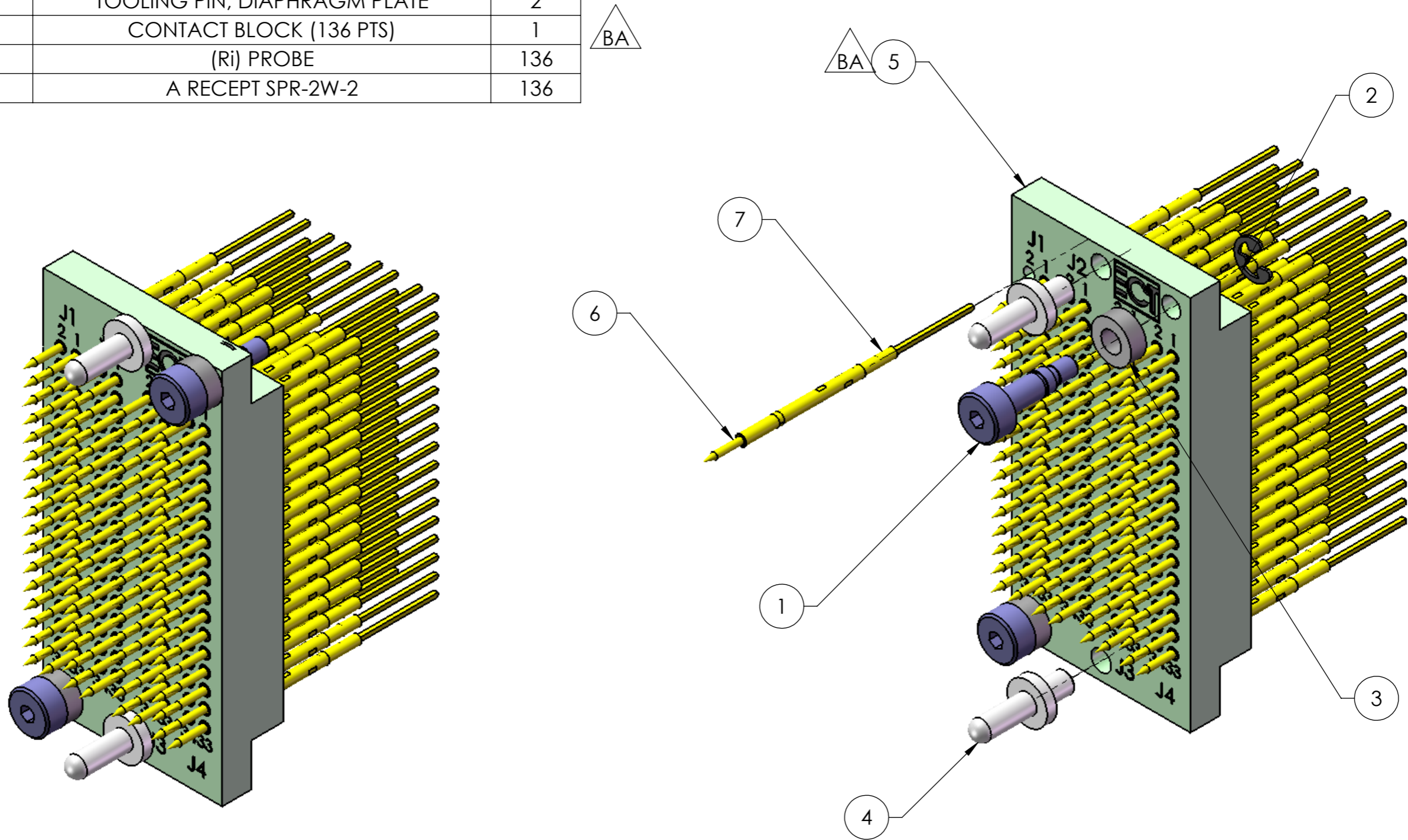


ITEM NO.	PART NUMBER	DESCRIPTION	QTY.
1	A29675	SHOULDER SCREW MODIFICATION	2
2	A30279	*(Ri) RETAINER RING 5103-12	2
3	A31054	SPACER (RCVR BLK - SHOULDER SCREW)	2
4	B23245-11	TOOLING PIN, DIAPHRAGM PLATE	2
5	B33307	CONTACT BLOCK (136 PTS)	1
6	EPA-2B40	(Ri) PROBE	136
7	SPR-2W-2	A RECEPT SPR-2W-2	136

REV.	DESCRIPTION	DFT	DATE	ECR NO.
A	INITIAL RELEASE	YAN ZHANG	4/16/2015	NIL
BA	UPDATE ECT LOGO	YAN ZHANG	11/21/2015	-



QTY: REFER TO BOM

PLEASE NOTE:
1. DIMENSIONAL LIMITS APPLY AFTER TREATMENT.
2. REMOVE ALL SHARP EDGES.
3. -

THIS DOCUMENT IS THE PROPERTY OF, AND CONTAINS INFORMATION PROPRIETARY TO **EVERETT CHARLES TECHNOLOGIES**. IT IS TO BE RETURNED UPON REQUEST. REPRODUCTION BY ANY MEANS, DISCLOSURE OR USE OF ITS CONTENTS FOR WHICH IT IS LOANED, WITHOUT WRITTEN CONSENT OF EVERETT CHARLES TECHNOLOGIES IS STRICTLY PROHIBITED.

UNLESS OTHERWISE SPECIFIED:
1. DIMENSIONS ARE IN INCHES
2. DEBURR ALL SHARP EDGES: .01 x 45°
3. DO NOT SCALE DRAWING
4. TOLERANCES: .ANGLES ± 0.5°
.XX ± 0.02
.XXX ± 0.005
.XXXX ± 0.0005
5. MACHINING REQUIRED:

PROJECTION:	
DRAWN BY:	YAN ZHANG
ENGR APVD	
MATERIAL	
TREATMENT	



BLK161 KALLANG WAY #06-18/26
SINGAPORE 349247
TEL: (65) 62938966 FAX: (65) 62939866

TITLE		VGRCB-136HF S/A		
SIZE	SCALE	DOCUMENT NUMBER	SHEET	REV
A4	2:1	820415	1 OF 1	BA