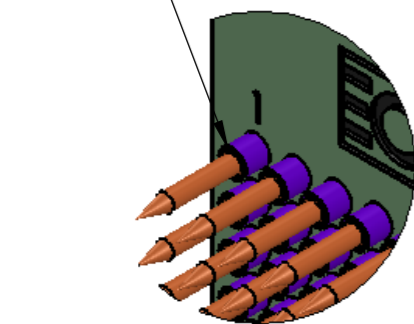


ITEM NO.	PART NUMBER	DESCRIPTION	QTY.
1	A19304-2	SCR, PAN, PHILIP, #4-40 X 0.375", SST	2
2	B10783-1	CONTACT BLOCK (170 PTS)	1
3	EPA-2B40	PROBE, 100MIL	170
4	SPR-2W-2	SOCKET, 100MIL	170

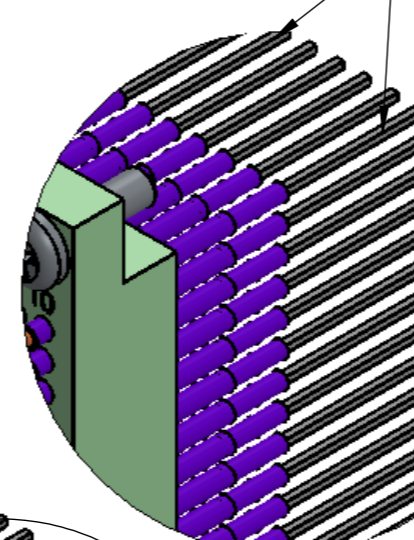
REV.	DESCRIPTION	DFT	DATE	ECR NO.
A	INITIAL RELEASE	HARI	12/11/14	5357
AB	ADDED INSTRUCTION SOCKET HEIGHT AND PIN ALIGNED	D.HERNANDEZ	8/26/2016	5357

△ AB SOCKET HEIGHT 1.5mm (0.060 in) TYP

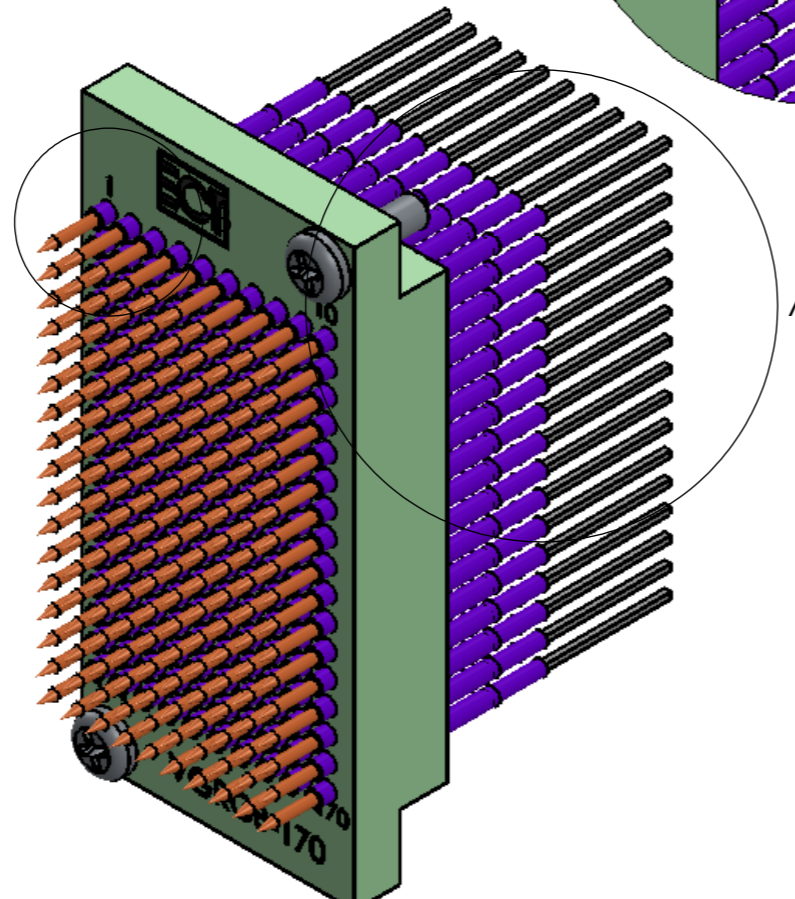


DETAIL B
SCALE 3 : 1

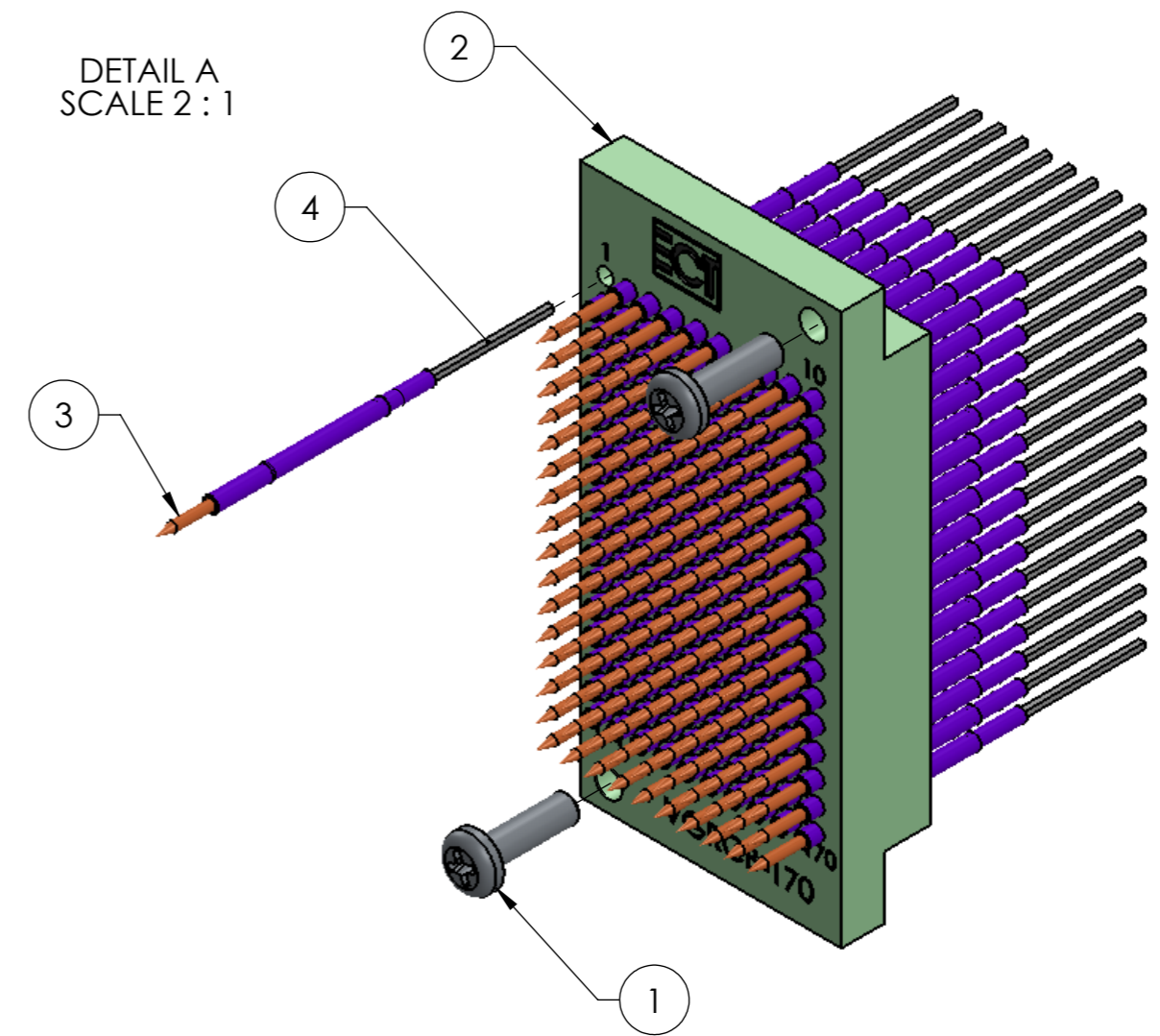
△ AB ALL PINS MUST BE ALIGNED TO 0° +/-0.5° DEGREES



DETAIL A
SCALE 2 : 1



A



QTY: REFER TO BOM

- PLEASE NOTE:**
- DIMENSIONAL LIMITS APPLY AFTER TREATMENT.**
 - REMOVE ALL SHARP EDGES.**
 -

THIS DOCUMENT IS THE PROPERTY OF, AND CONTAINS INFORMATION PROPRIETARY TO **EVERETT CHARLES TECHNOLOGIES**. IT IS TO BE RETURNED UPON REQUEST. REPRODUCTION BY ANY MEANS, DISCLOSURE OR USE OF ITS CONTENTS FOR WHICH IT IS LOANED, WITHOUT WRITTEN CONSENT OF EVERETT CHARLES TECHNOLOGIES IS STRICTLY PROHIBITED.

- UNLESS OTHERWISE SPECIFIED:
- DIMENSIONS ARE IN INCHES
 - DEBURR ALL SHARP EDGES: .01 x 45°
 - DO NOT SCALE DRAWING
 - TOLERANCES: .ANGLES ± 0.5°
.XX ± 0.02
.XXX ± 0.005
.XXXX ± 0.0005
 - MACHINING REQUIRED:

PROJECTION:	
DRAWN BY:	HARI
ENGR APVD	
MATERIAL	
TREATMENT	



BLK161 KALLANG WAY #06-18/26
SINGAPORE 349247
TEL: (65) 62938966 FAX: (65) 62939866

TITLE				
A (RI) VGRCB-170H				
SIZE	SCALE	DOCUMENT NUMBER	SHEET	REV
A4		B10783-1L	1 OF 1	AB