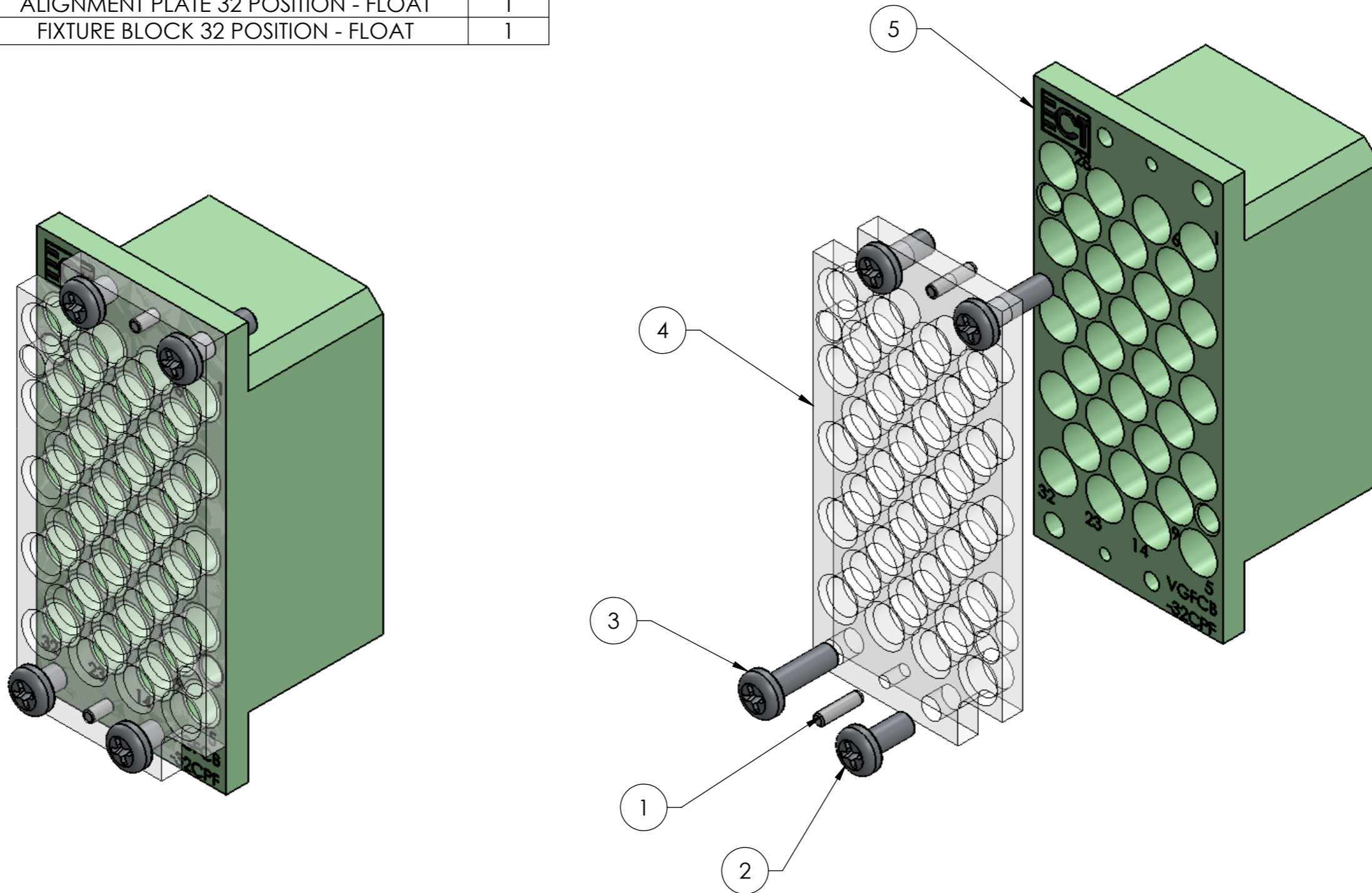


ITEM NO.	PART NUMBER	DESCRIPTION	QTY.
1	A12724-1	PIN, DWL, DIA 1.59X6.35,SST	2
2	A19304-1	SCR, PAN, PHILIP, #4-40 X 0.250", SST	2
3	A19304-2	SCR, PAN, PHILIP, #4-40 X 0.375", SST	2
4	B32504	ALIGNMENT PLATE 32 POSITION - FLOAT	1
5	B32510	FIXTURE BLOCK 32 POSITION - FLOAT	1

REV.	DESCRIPTION	DFT	DATE	ECR NO.
A	INITIAL RELEASE	HARI	12/11/14	5357



QTY: REFER TO BOM

PLEASE NOTE:
1. DIMENSIONAL LIMITS APPLY AFTER TREATMENT.
2. REMOVE ALL SHARP EDGES.
3. -

THIS DOCUMENT IS THE PROPERTY OF, AND CONTAINS INFORMATION PROPRIETARY TO **EVERETT CHARLES TECHNOLOGIES**. IT IS TO BE RETURNED UPON REQUEST. REPRODUCTION BY ANY MEANS, DISCLOSURE OR USE OF ITS CONTENTS FOR WHICH IT IS LOANED, WITHOUT WRITTEN CONSENT OF EVERETT CHARLES TECHNOLOGIES IS STRICTLY PROHIBITED.

UNLESS OTHERWISE SPECIFIED:
1. DIMENSIONS ARE IN INCHES
2. DEBURR ALL SHARP EDGES: .01 x 45°
3. DO NOT SCALE DRAWING
4. TOLERANCES: .ANGLES ± 0.5°
 .XX ± 0.02
 .XXX ± 0.005
 .XXXX ± 0.0005
5. MACHINING REQUIRED:

PROJECTION:	
DRAWN BY:	HARI
ENGR APVD	
MATERIAL	
TREATMENT	



BLK161 KALLANG WAY #06-18/26
SINGAPORE 349247
TEL: (65) 62938966 FAX: (65) 62939866

TITLE				
A (RI) VGFCB-32 CPF				
SIZE	SCALE	DOCUMENT NUMBER	SHEET	REV
A4		907	1 OF 1	A