

BMP-4

ECT's BMP-4 Board Marker Probe is designed for installation on bare board or loaded board test fixtures. When your tester is equipped with the appropriate electronics and software, the BMP-4 scribes a permanent circle on every "passed" PCB or device tested. Boards that fail the test are not marked. The risk of human error is eliminated in PCB testing and sorting.

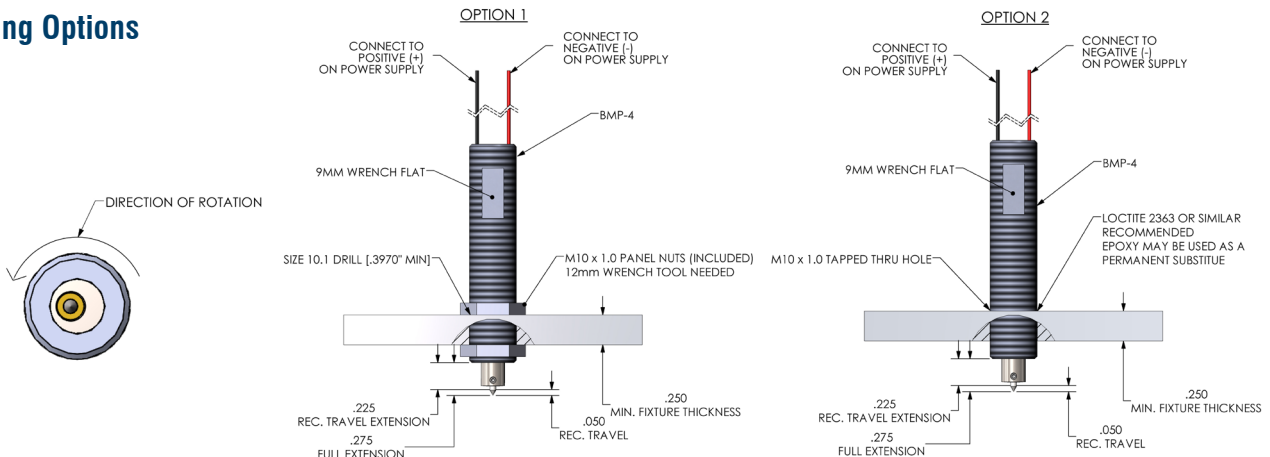
When activated, the spring-loaded scribe tip contacts the PCB surface. The 12 V DC motor rotates the scribe in a counter clockwise direction and leaves a .050" (1.27mm) circle mark onto the PCB. The probe requires less than .400" (10mm) of fixture area when mounted into a threaded hole. It's designed to mark board areas comprised of bare glass (FR4), solder mask over glass, copper, or bare tinned copper.

The probe features a full length threaded housing which allows for maximum adjustability in the Z-direction. Spare tip replacement assemblies are available.

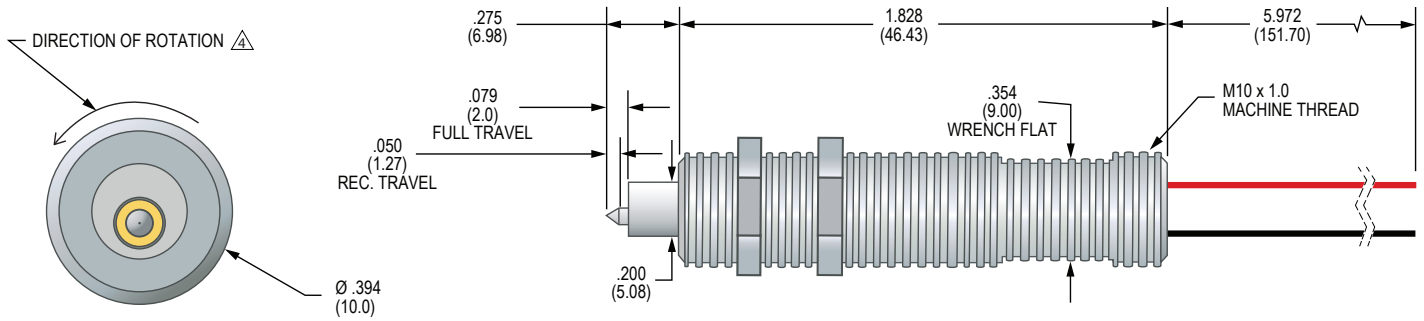
Benefits Summary

- 10mm diameter allows fine pitch probe placement
- Fully adjustable in Z-direction
- > 50,000 Cycles before tip replacement
- Easy to replace scribe tip
- Durable motor
- Easy to fixture
- Hands free operation
- No hazardous consumables

Mounting Options



BMP-4



Mechanical

Recommended Travel:	.050 (1.27)
Full Travel:	.079 (2.00)
Direction of Rotation:	Counter clock wise
Scribed Diameter:	.050 (1.27)
Special diameters available.	

Spring Force in oz. (grams)

	Preload	Rec. Travel
Standard	2.43 (68.9)	5.0 (141.7)

Electrical (Static Conditions)

Current Rating:	20 mA
Voltage Rating:	12VDC
Recommended Duty Cycle:	2 sec. On (min.) 3 sec. Off

Materials and Finishes

Plunger Tip:	Carbide
Housing:	Stainless Steel

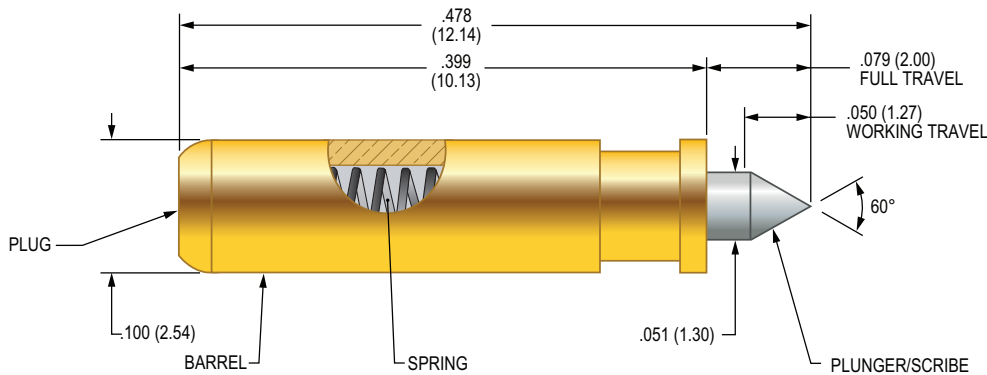
Mounting

Hole diameter:	BMP-4 Ø .398 (10.1) or M10 x 1.0 threaded hole
----------------	--

Order Number

Board Marker:	BMP-4
Replacement Tip kit:	BMT-4

Replaceable scribe tip: BMT-4



Dimensions in inches (mm)