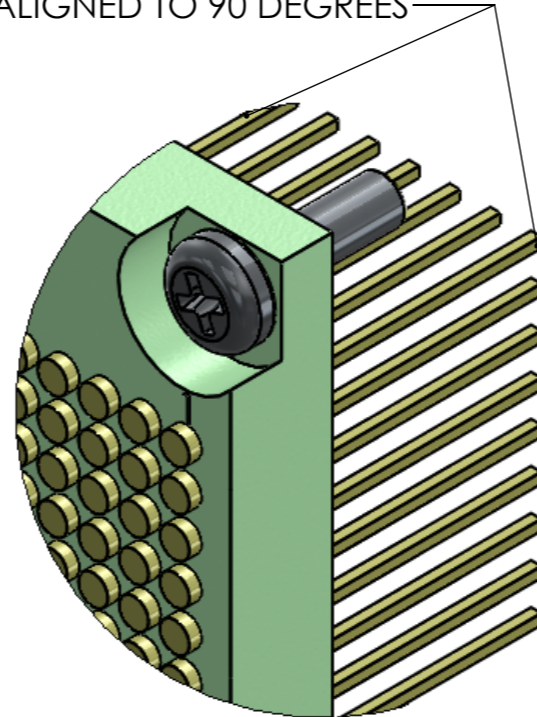
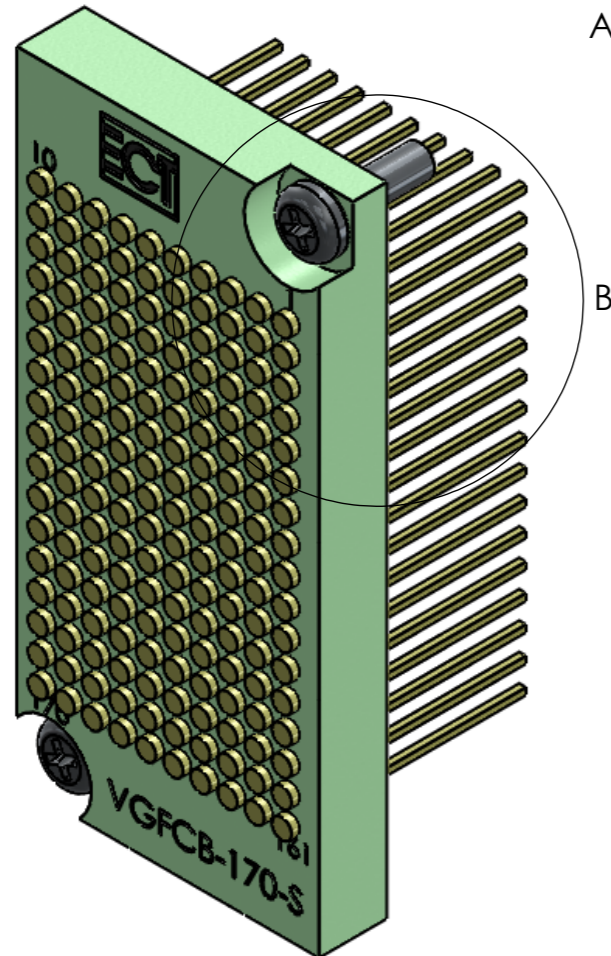


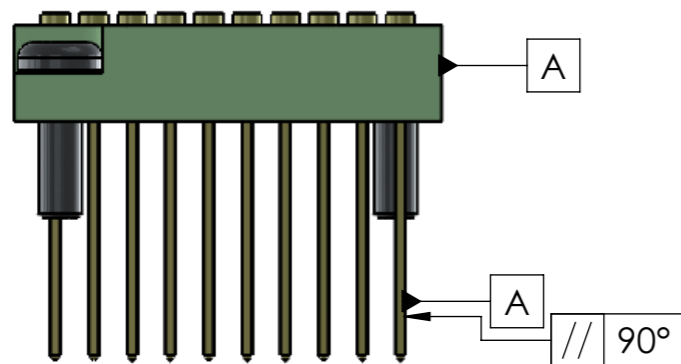
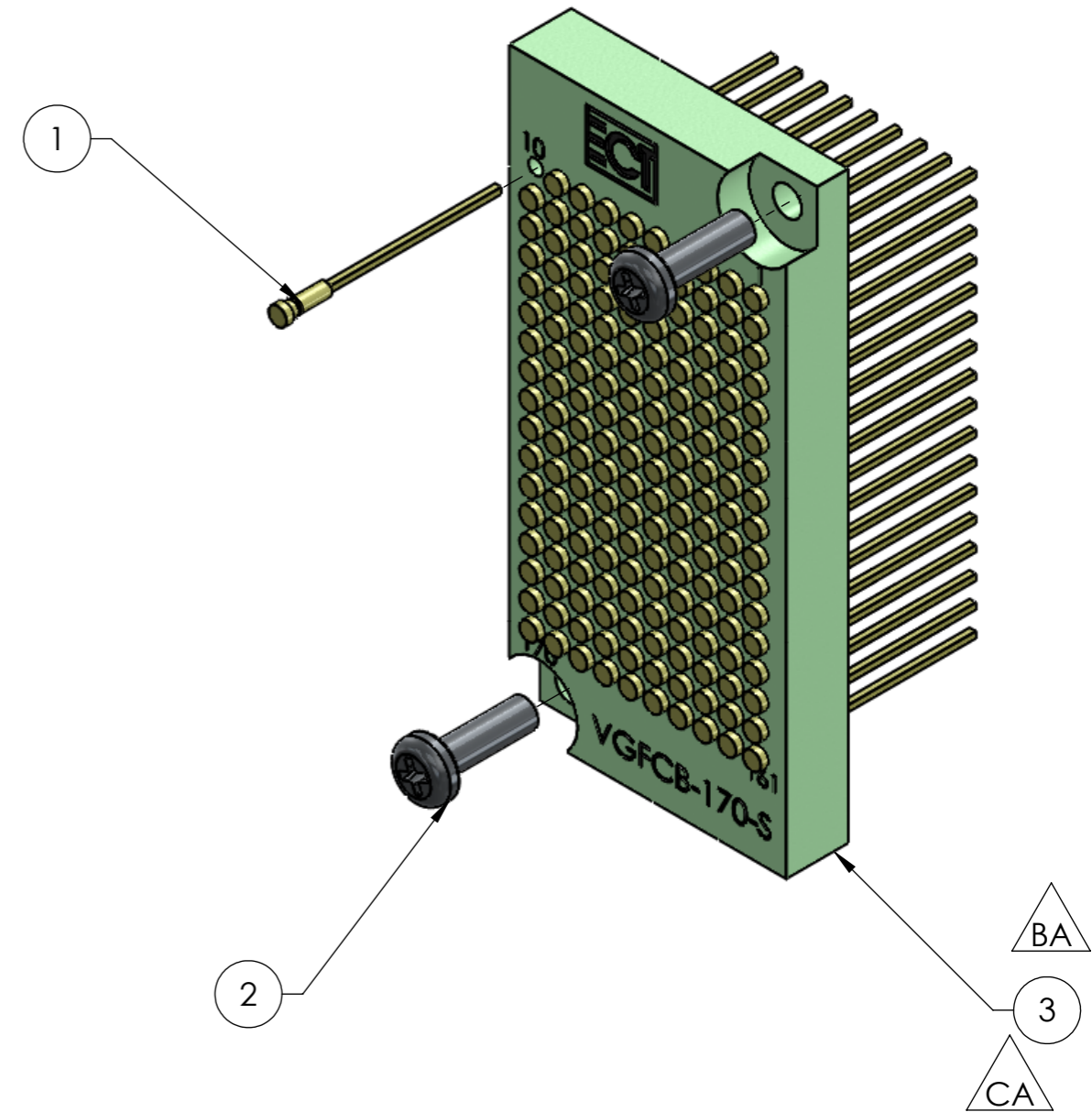
ITEM NO.	PART NUMBER	DESCRIPTION	QTY.
1	A12476	PIN, SOLID DUMMY (.030 LG, HEAD)	170
2	A19304-2	SCR, PAN, PHILIP, #4-40 X 0.375", SST	2
3	B10031-S	INTERFACE BLOCK 170 PTS (FOR SQUARE TAILS)	1

REV.	DESCRIPTION	DFT	DATE	ECR NO.
A	Initial Release	HARI	12/11/14	-
AB	ADDED INSTRUCTION PIN ORIENTATION	D.HERNANDEZ	8/16/2016	-
BA	UPDATED THE PIN DIAMETER INTERFACE BLOCK TO 1.55mm	D.HERNANDEZ	10/18/2016	-
CA	UPDATE ITEM No. 3	RAFAEL D	12/19/2016	-

ALL PINS MUST BE ALIGNED TO 90 DEGREES



DETAIL B  
SCALE 3 : 1



**PLEASE NOTE:**  
 1. DIMENSIONAL LIMITS APPLY AFTER TREATMENT.  
 2. REMOVE ALL SHARP EDGES.  
 3. -

THIS DOCUMENT IS THE PROPERTY OF, AND CONTAINS INFORMATION PROPRIETARY TO **EVERETT CHARLES TECHNOLOGIES**. IT IS TO BE RETURNED UPON REQUEST. REPRODUCTION BY ANY MEANS, DISCLOSURE OR USE OF ITS CONTENTS FOR WHICH IT IS LOANED, WITHOUT WRITTEN CONSENT OF EVERETT CHARLES TECHNOLOGIES IS STRICTLY PROHIBITED.

UNLESS OTHERWISE SPECIFIED:  
 1. DIMENSIONS ARE IN INCHES  
 2. DEBURR ALL SHARP EDGES: .01 x 45°  
 3. DO NOT SCALE DRAWING  
 4. TOLERANCES: .ANGLES ± 0.5°  
                   .XX ± 0.02  
                   .XXX ± 0.005  
                   .XXXX ± 0.0005  
 5. MACHINING REQUIRED:

PROJECTION:	
DRAWN BY:	HARI
ENGR APVD	
MATERIAL	
TREATMENT	



BLK161 KALLANG WAY #06-18/26  
 SINGAPORE 349247  
 TEL: (65) 62938966 FAX: (65) 62939866

TITLE		VGFCB-170H		
SIZE	SCALE	DOCUMENT NUMBER	SHEET	REV
A4		B10031-VLD	1 OF 1	CA

**QTY: REFER TO BOM**