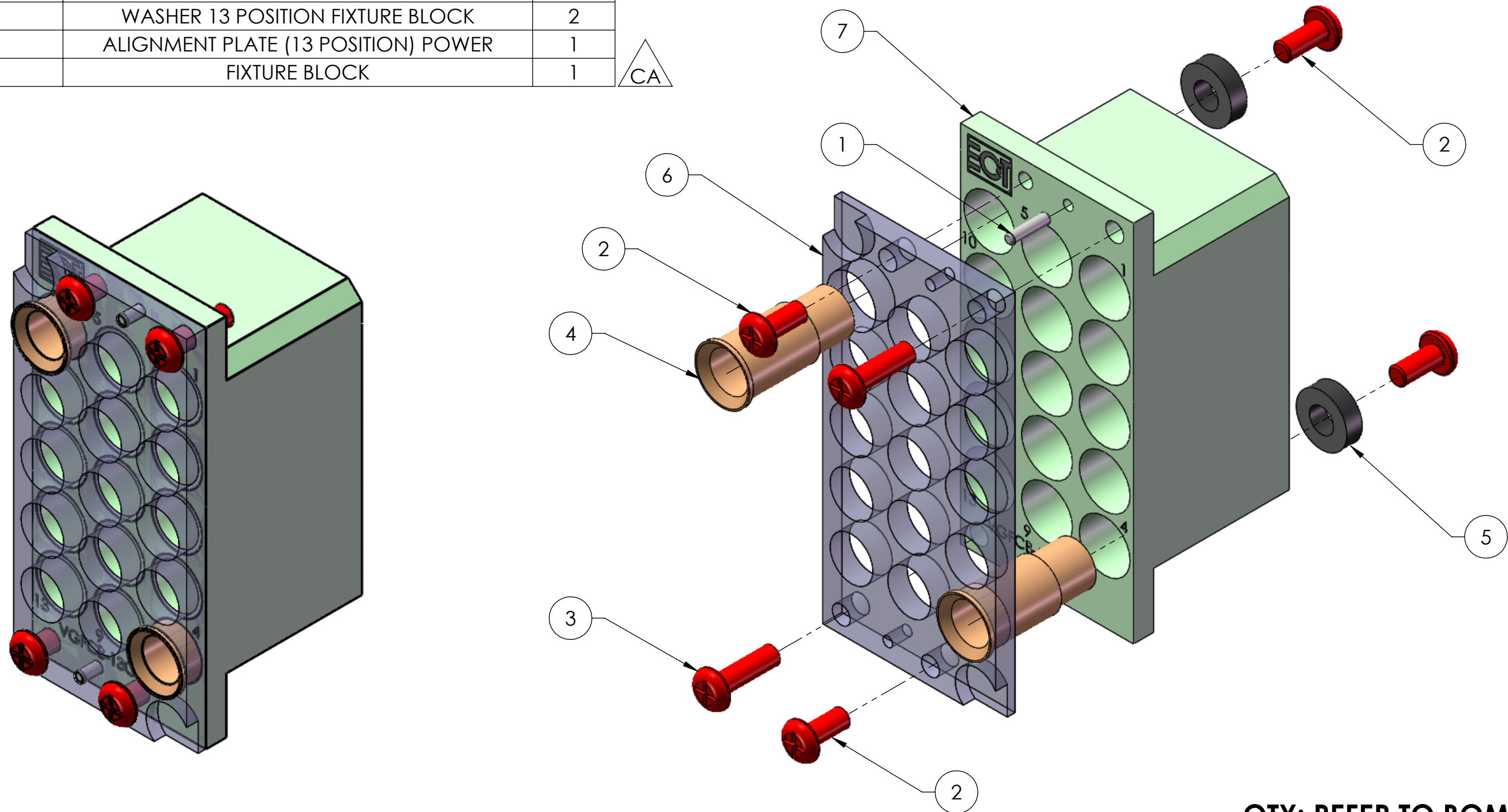


ITEM NO.	PART NUMBER	DESCRIPTION	QTY.
1	813499	PIN DOWEL .062 X .250 LONG	2
2	A19304-1	SCR, PAN HD, #4-40 x 0.250", SST	4
3	A19304-2	SCR, PAN HD, #4-40 x 0.375", SST	2
4	A31178	ALIGNMENT BUSHING FIXTURE BLOCK	2
5	A31180	WASHER 13 POSITION FIXTURE BLOCK	2
6	B31074	ALIGNMENT PLATE (13 POSITION) POWER	1
7	B31075	FIXTURE BLOCK	1

CA

REV.	DESCRIPTION	DFT	DATE	ECR NO.
A	INITIAL RELEASE	-	-	-
B	ARTWORK REVISED, MIGRATED TO SW	YAN ZHANG	3/17/2015	5357
CA	UPDATE ECT LOGO	YAN ZHANG	10/28/2015	-



**QTY: REFER TO BOM**

**PLEASE NOTE:**  
 1. DIMENSIONAL LIMITS APPLY AFTER TREATMENT.  
 2. REMOVE ALL SHARP EDGES.  
 3. -

THIS DOCUMENT IS THE PROPERTY OF, AND CONTAINS INFORMATION PROPRIETARY TO **EVERETT CHARLES TECHNOLOGIES**. IT IS TO BE RETURNED UPON REQUEST. REPRODUCTION BY ANY MEANS, DISCLOSURE OR USE OF ITS CONTENTS FOR WHICH IT IS LOANED, WITHOUT WRITTEN CONSENT OF EVERETT CHARLES TECHNOLOGIES IS STRICTLY PROHIBITED.

UNLESS OTHERWISE SPECIFIED:  
 1. DIMENSIONS ARE IN INCHES  
 2. DEBURR ALL SHARP EDGES: .01 x 45°  
 3. DO NOT SCALE DRAWING  
 4. TOLERANCES: .ANGLES ± 0.5°  
 .XX ± 0.02  
 .XXX ± 0.005  
 .XXXX ± 0.0005  
 5. MACHINING REQUIRED:

PROJECTION:	
DRAWN BY:	<b>YAN ZHANG</b>
ENGR APVD	
MATERIAL	
TREATMENT	



BLK161 KALLANG WAY #06-18/26  
 SINGAPORE 349247  
 TEL: (65) 62938966 FAX: (65) 62939866

TITLE				
<b>A (RI) VGFCB-13CPF FIX BLK</b>				
SIZE	SCALE	DOCUMENT NUMBER	SHEET	REV
<b>A4</b>	<b>2:1</b>	<b>579</b>	<b>1 OF 1</b>	<b>CA</b>