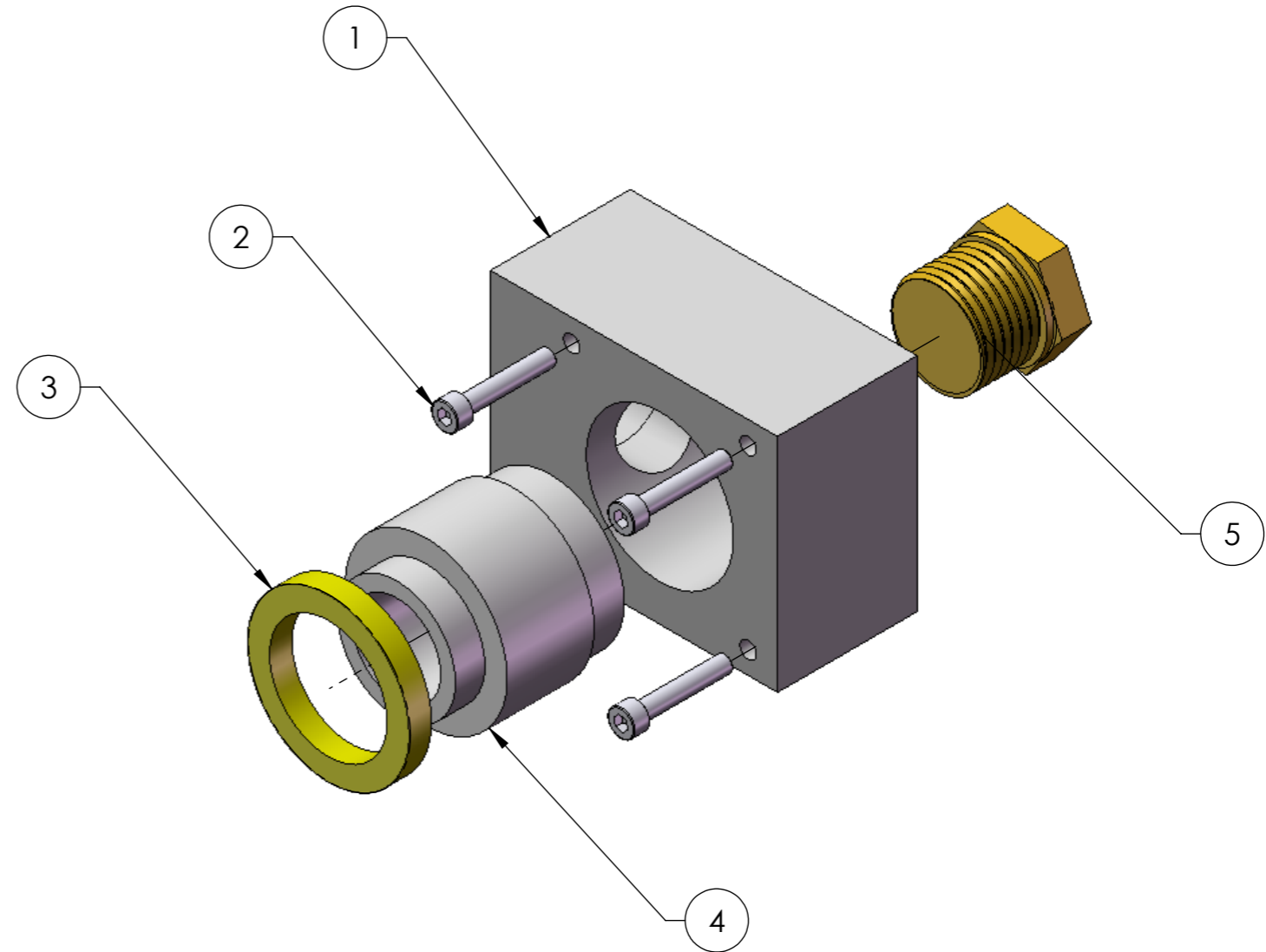
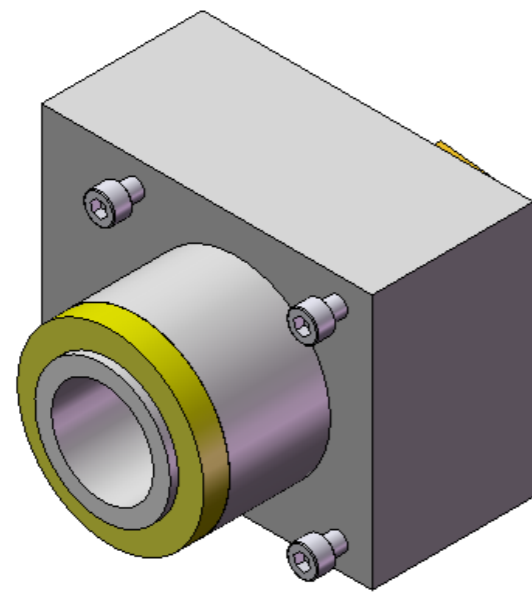


ITEM NO.	PART NUMBER	DESCRIPTION	QTY.
1	B18660	VAC PORT	1
2	700041	SCREW, SHCS #6-32 X 3/4	4
3	A11740	GASKET, VAC PORT	1
4	A11742	PIPE, VAC PORT	1
5	A19865	HEX HEAD PLUG	1

REV.	DESCRIPTION	DFT	DATE	ECR NO.
AA	INITIAL RELEASE	YAN ZHANG	4/12/2015	NIL



QTY: REFER TO BOM

PLEASE NOTE:
 1. DIMENSIONAL LIMITS APPLY AFTER TREATMENT.
 2. REMOVE ALL SHARP EDGES.
 3. -

THIS DOCUMENT IS THE PROPERTY OF, AND CONTAINS INFORMATION PROPRIETARY TO **EVERETT CHARLES TECHNOLOGIES**. IT IS TO BE RETURNED UPON REQUEST. REPRODUCTION BY ANY MEANS, DISCLOSURE OR USE OF ITS CONTENTS FOR WHICH IT IS LOANED, WITHOUT WRITTEN CONSENT OF EVERETT CHARLES TECHNOLOGIES IS STRICTLY PROHIBITED.

UNLESS OTHERWISE SPECIFIED:
 1. DIMENSIONS ARE IN INCHES
 2. DEBURR ALL SHARP EDGES: .01 x 45°
 3. DO NOT SCALE DRAWING
 4. TOLERANCES: .ANGLES ± 0.5°
 .XX ± 0.02
 .XXX ± 0.005
 .XXXX ± 0.0005
 5. MACHINING REQUIRED:

PROJECTION:	
DRAWN BY:	YAN ZHANG
ENGR APVD	
MATERIAL	
TREATMENT	



BLK161 KALLANG WAY #06-18/26
 SINGAPORE 349247
 TEL: (65) 62938966 FAX: (65) 62939866

TITLE				
A (RI) VAC PORT VXI RCVR				
SIZE	SCALE	DOCUMENT NUMBER	SHEET	REV
A4	1:1	576	1 OF 1	AA