

CSP-30TS-011

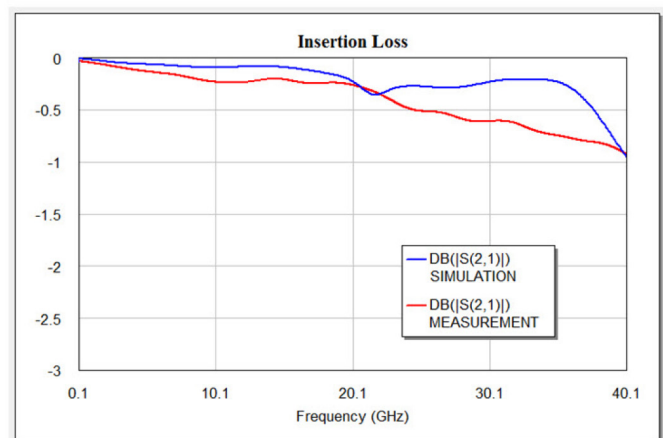
With the addition of the CSP-30TS-011 high performance Radio Frequency probe, ECT adds to its industry proven high speed test interface portfolio. The probe incorporates several innovative features that result in superior performance and ease of use. The CSP-30TS-011 was specifically designed to contact PCBA board features such as: test pads and vias. With a bandwidth in excess of 20 GHz @ -1dB the CSP-30TS-011 offers outstanding signal integrity and measurement capability.

The CSP-30TS-011 provides spring loaded compliance for both the center signal probe and up to four outer ground probes. The CSP-30TS-011 features easy to replace signal and ground probes. The knurl housing feature provides for easy and reliable press fit mounting.

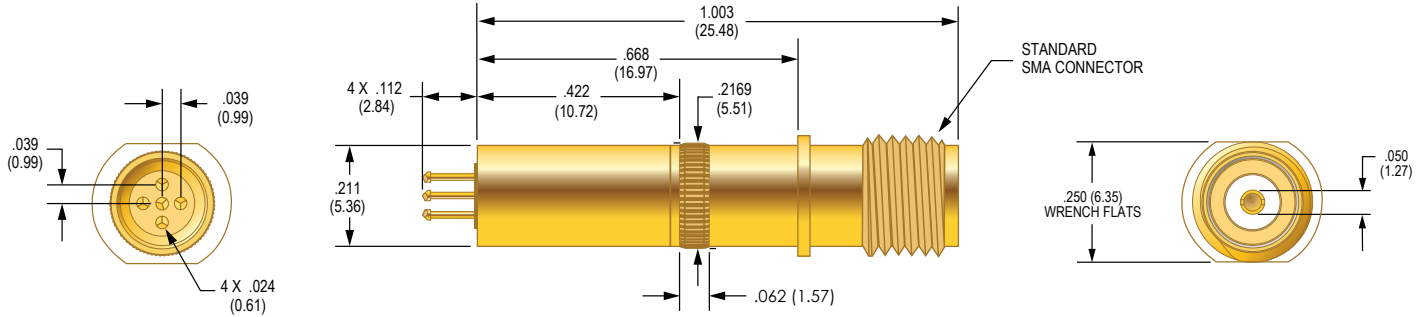
The CSP-30TS-011 coaxial probe provides instrumentation-quality interface for broadband R.F. measurements in excess of 20 GHz. With the CSP-30TS-011 R.F. circuit design, impedance characterization measurements can be performed in both high volume testing or engineering lab environments. Accurate and repeatable small signal and R.F. power (50 Watts) measurements provide consistent and repeatable results.

CSP-30TS Benefits Summary

- Probe contacts PCBA test pads and vias
- Easy to replace signal and ground probes: SPT-30T-020 & SPT-30T-021
- The CSP-30TS-011 is compatible with ECT ICT/FT probes
- Ideal for high volume production or engineering lab test
- Incorporates spring probes in an open architecture format
- Proven RF measurements in excess of 20 GHz
- Consistent 50 Ohm impedance
- Rugged design for inline applications



CSP-30TS-011



Mechanical

Recommended Travel:	.067 (1.70)
Full Travel:	.100 (2.54)
Operating Temperature:	-55°C to 85°C
Connection:	Standard SMA Connector

Materials and Finishes

Housing:	Brass, Gold plated
Dielectric:	Rexolite
Spring:	Stainless Steel, Gold plated over hard Nickel

Mounting

Hole diameter:	Ø.213 (5.4)
----------------	-------------

Replaceable Probes

Order Number (CSP-30TS-011):	
Signal	SPL-30T-020
Ground	SPL-30T-021

Applications

Designed for use in interconnect applications where signal integrity is required, such as accessing high frequency RF targets on circuit boards. Can also be used as R.F. mating connector.

Spring Force in oz. (grams)

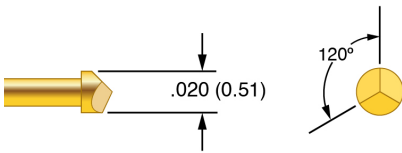
	Order Code	Preload	Rec. Travel
Standard	CSP-30TS-011	1.59 (40)*	7.0 (198)*

* Fully populated - 5 probes total

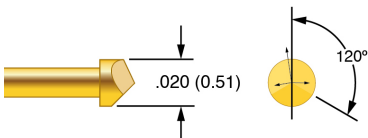
Electrical (Static Conditions)

Nominal Impedance:	50 Ohms
Average Probe Resistance:	<50 mOhms
Bandwidth @ -1 dB:	>20 GHz

Replaceable probe: SPL-30T-020

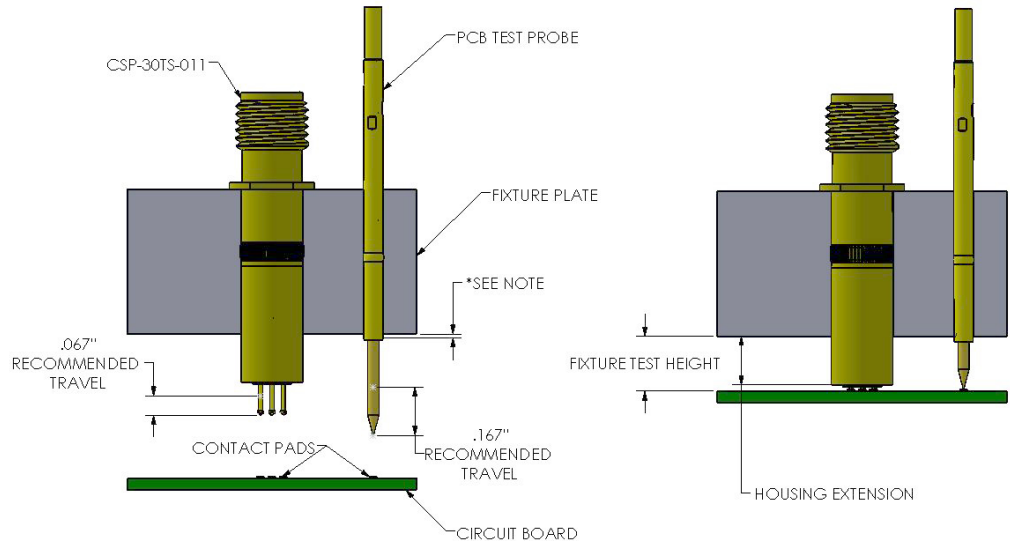


Replaceable probe: SPL-30T-021



Dimensions in inches (mm)

CSP-30TS-011 Probe Mounting



NOTE: CSP-30TS-011 coaxial probes are compatible with other ECT PCB test probes such as POGO and LFRE. Mount probes so that both CSP-30 and PCB test probes reach recommended travel at the target fixture deflection.